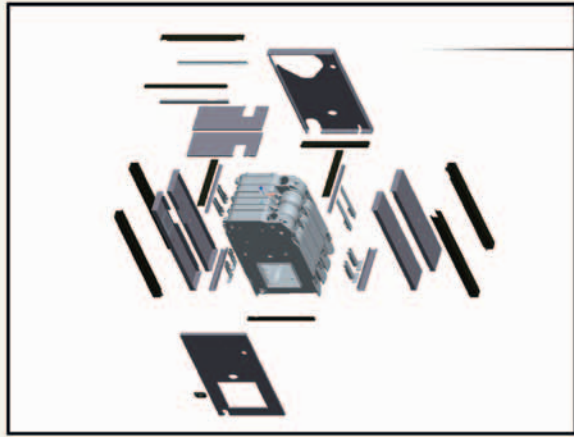


Reliability... Redefined!

- ✓ 85.9% Gas Combustion Efficiency
- ✓ Gas, Oil or Gas/Oil
- ✓ 1010 – 5845 MBH Input
- ✓ 26-150 H.P.
- ✓ Complies to LEED
- ✓ Single or Multiple Boiler Systems
- ✓ With or without tankless heater
- ✓ Packaged or Knock-down
- ✓ On/Off, Low/High/Off,
Low/High/Low or Full Modulation

Model 88
-Est. 1985-
Weil-McLain



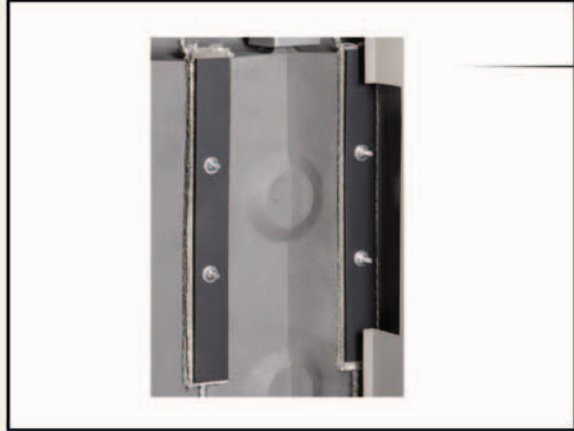


NEW Jacket Design:

- Modular jacketing and toolless jacket panels for easy access
- 3 inches of insulation to minimize jacket losses, maximizing thermal efficiencies
- Modular side panels for ease of assembly
- High temperature site glass grommets
- Part number labels on all components for easy assembly

NEW Efficiencies:

- 85.9% Combustion Efficiencies (see ratings)
- HXT-bars optimize heat transfer



NEW Clean-Out Plates:

- ¼-inch thick solid steel plates
- Coated Woven Fiberglass reusable gasket
- Reusable – cleaning after cleaning

Backwards Compatible:

- Can use up to 50% Series 2 iron on a Series 1 block without consulting Weil-McLain – no need to stock both!

Standard Equipment

All Boilers:

- ASME 80 PSI rated cast iron sections
- Insulated steel jacket
- Power burner for light oil, gas or gas/light oil
- Burner mounting plate with refractory
- Cast iron flue collar with built-in breaching damper
- Observation ports on front and back sections
- Clean-out plates with reusable gaskets
- Flue brush
- HXT-bars
- 3 inches of insulation (except front panel)
- Secondary LWCO tapping

Water Boilers

- 30 PSI ASME relief valve
- Combination high limit and low limit with manual reset control
- Combination pressure/temperature gauge
- Nipple and 5" x 6" reducing coupling (1288 – 1888 boilers only)
- Built-in air eliminator

Optional Equipment

- Factory-assembled sections
- Intermediates with tankless heater opening
- Tankless heaters for domestic hot water
- Tankless heater opening cover plates
- Low water cutoffs
- Barometric dampers
- Side inspection tappings with plugs – two per section
- Dual-range manometer
- Optional burners and burner controls



88c Series 2 CSA Ratings For Canada

Ratings

Model	CSA Ratings			Boiler H.P.	Net Rating Water MBH	Chimney or Vent Diameter	C.S.A. Combustion Efficiency		Burners Used Riello Model No.		
	Oil Input GPH	Gas Input MBH	Gross Output MBH				OIL	GAS	OIL	GAS	Dual Fuel
488c	7.0	1010	868	26	755	10"	88.6	85.9	RL28	RS28/M	RLS28
588c	9.4	1357	1166	35	1014	10"	88.6	85.9	RL38	RS38/M	ELS38
688c	11.8	1703	1463	44	1272	10"	88.6	85.9	RL38	RS50/M	RLS38
788c	14.2	2049	1760	53	1530	12"	88.6	85.9	RL50	RS50/M	RLS50
888c	16.6	2396	2058	61	1790	12"	88.6	85.9	RL70	RS70/M	RLS70
988c	18.8	2713	2330	70	2026	14"	88.6	85.9	RL70	RS70/M	RLS70
1088c	21.5	3103	2665	80	2317	14"	88.6	85.9	RL100	RL100/M	RLS70
1188c	23.5	3392	2914	87	2534	14"	88.6	85.9	RL100	RL100/M	RLS100
1288c	26.0	3753	3224	96	2803	14"	88.6	85.9	RL100	RL100/M	RLS100
1388c	28.5	4113	3533	106	3072	14"	88.6	85.9	RL100	RL100	RLS100
1488c	31.0	4474	3843	115	3342	16"	88.6	85.9	RL100	RL130	RLS100
1588c	33.0	4763	4091	122	3557	16"	88.6	85.9	RL130	RL130	RLS130
1688c	35.5	5124	4402	132	3828	16"	88.6	85.9	RL130	RL130	RLS130
1788c	38.0	5485	4712	141	4097	18"	88.6	85.9	RL130	RS190	NA
1888c	40.5	5845	5021	150	4366	18"	88.6	85.9	RL130	RS190	NA

- Burner input based on maximum of 2,000 ft. altitude - for higher altitudes consult Weil, McLain representative.
- No.2 Fuel oil - Commercial Standard Spec. CS75-56. Heat value of oil - 140,000 BTU/G.
- Stack gas volume at outlet temperature
- With 0.10" WC positive pressure at flue collar.
- Consult Burner Specification Sheets for gas pressure required.



Model 88
-Est. 1985-
Weil-McLain



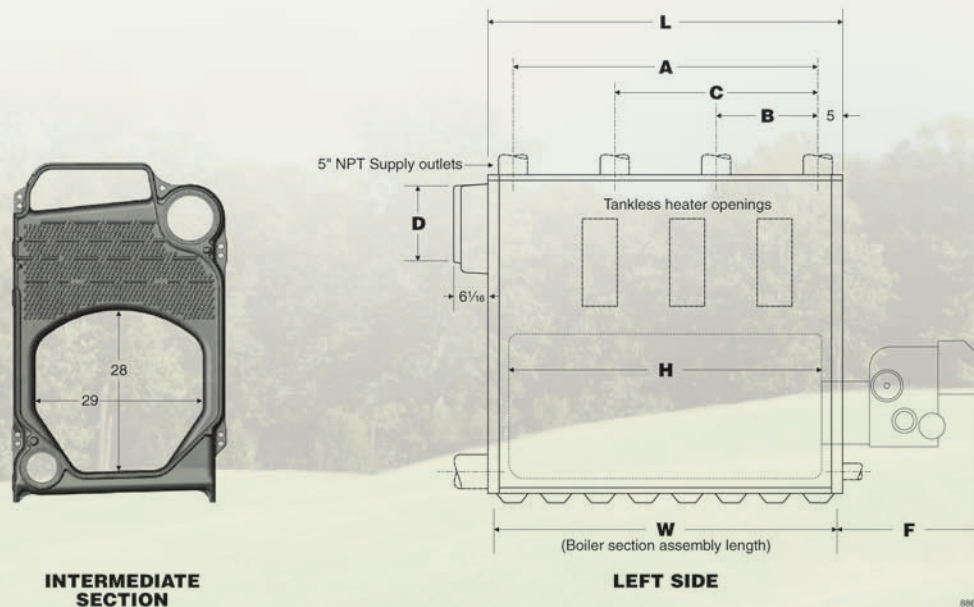
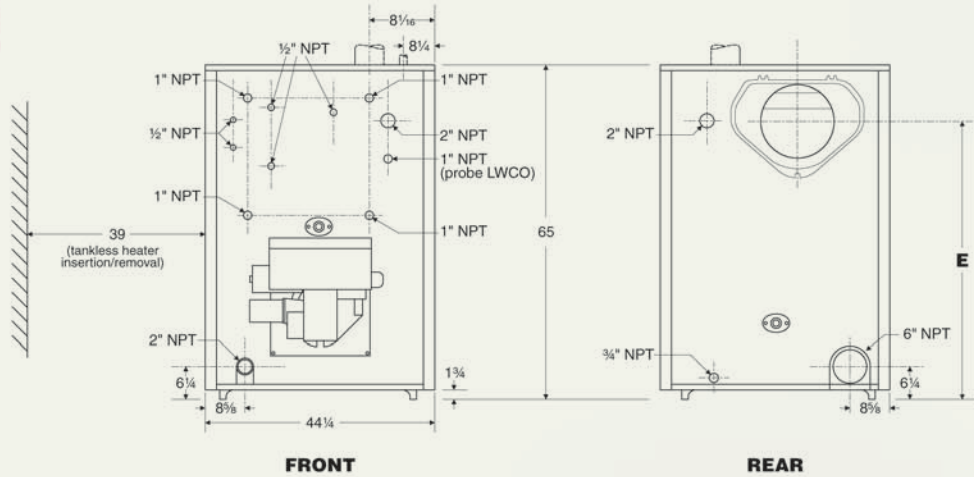
Dimensions (inches)									
Model	A	B	C	D	E	L	W	H	
488c	23	—	—	10	54 3/4	34 3/4	30	23 3/8	
588c	31	—	—	10	54 3/4	42 3/4	38	31 3/8	
688c	39	—	—	10	54 3/4	50 3/4	46	39 3/8	
788c	47	—	—	12	53 3/4	58 3/4	54	47 3/8	
888c	55	—	—	12	53 3/4	66 3/4	62	55 3/8	
988c	63	—	—	14	52 3/4	74 3/4	70	63 3/8	
1088c	71	—	—	14	52 3/4	82 3/4	78	71 3/8	
1188c	79	—	—	14	52 3/4	90 3/4	86	79 3/8	
1288c	87	39 1/2	—	14	52 3/4	98 3/4	94	87 3/8	
1388c	95	47 1/2	—	14	52 3/4	106 3/4	102	95 3/8	
1488c	103	55 1/2	—	16	51 3/4	114 3/4	110	103 3/8	
1588c	111	63 1/2	—	16	51 3/4	122 3/4	118	111 3/8	
1688c	119	47 1/2	—	16	51 3/4	130 3/4	126	119 3/8	
1788c	127	31 1/2	79 1/2	18†	51 3/4	138 3/4	134	127 3/8	
1888c	135	39 1/2	87 1/2	18†	51 3/4	146 3/4	142	135 3/8	

†For 18" diameter breaching, flue collar is oval (19 1/8 x 16 1/8")

Model	Supply & return tapplings				Packaged weight (lbs)
	Supply tapplings (No. & size)*		Return tapplings (No. & size)*		
488c	2 - 5"	2 - 5"	1 - 6"	1 - 6"	2860
588c	2 - 5"	2 - 5"	1 - 6"	1 - 6"	3340
688c	2 - 5"	2 - 5"	1 - 6"	1 - 6"	3820
788c	2 - 5"	2 - 5"	1 - 6"	1 - 6"	4345
888c	2 - 5"	2 - 5"	1 - 6"	1 - 6"	4925
988c	2 - 5"	2 - 5"	1 - 6"	1 - 6"	5600
1088c	2 - 5"	2 - 5"	1 - 6"	1 - 6"	6130
1188c	2 - 5"	2 - 5"	1 - 6"	1 - 6"	6695
1288c	3 - 5"	2 - 5"	1 - 6"	1 - 6"	7260
1388c	3 - 5"	2 - 5"	1 - 6"	1 - 6"	7890
1488c	3 - 5"	2 - 5"	1 - 6"	1 - 6"	8410
1588c	3 - 5"	2 - 5"	1 - 6"	1 - 6"	9005
1688c	3 - 5"	2 - 5"	1 - 6"	1 - 6"	9525
1788c	4 - 5"	2 - 5"	1 - 6"	1 - 6"	9780
1888c	4 - 5"	2 - 5"	1 - 6"	1 - 6"	10775

*Use recommended piping connections.

Note: The supply on the 1288 - 1888 water boilers comes complete with a nipple and 5" x 6" increaser.



8804

